

LCE-06CW Ceiling loudspeaker, 6W, ABS

Ceiling Entry Level



The LCE-06CW is a cost-effective 6 W ceiling loudspeaker. It provides excellent speech and music reproduction for a wide scope of applications.

Construction

The LCE-06CW has an ABS frame with a metal grille. It has a 3-pole connector enabling easy 6 W or 3 W tapping. The rim has an elegant design. The loudspeaker is white (RAL 9003). The design and fresh white color makes this loudspeaker a very good fit in virtually all interiors.

Functions

The flush-mounted ceiling loudspeaker is available for general-purpose applications. This full-range loudspeaker is suitable for speech and background music reproduction in shops, stores, schools, offices, sports halls, hotels, and restaurants.

Connection

The loudspeaker has a plastic screw-terminal connection block.

Regulatory information

Regulatory information

All Bosch loudspeakers are designed to withstand operating at their rated power for 100 continuous hours in accordance with IEC 268-5 Power Handling Capacity (PHC) standards. This ensures improved reliability under

- ▶ Suitable for speech and music reproduction
- ▶ Simple power tapping selection
- ▶ Elegant design
- ▶ Easy and quick installation

extreme conditions, leading to higher customer satisfaction and longer operating life and lessen the chance of failure or performance deterioration.

| | |
|---------------|--|
| Safety | EN 62368-1:2014+A11 IEC 62368-1:2018 Ed.3 |
| Region | Regulatory compliance/quality marks |
| Europe | CE |

Installation/configuration notes

Mounting

The loudspeaker is equipped with two friendly spring clamps for easy and tight mounting.

Terminal Block

The loudspeaker has a three-way plastic terminal block with screw connection. Two primary taps are provided on the matching transformer to allow selection of nominal full-power or half-power radiation (in 3 dB steps).

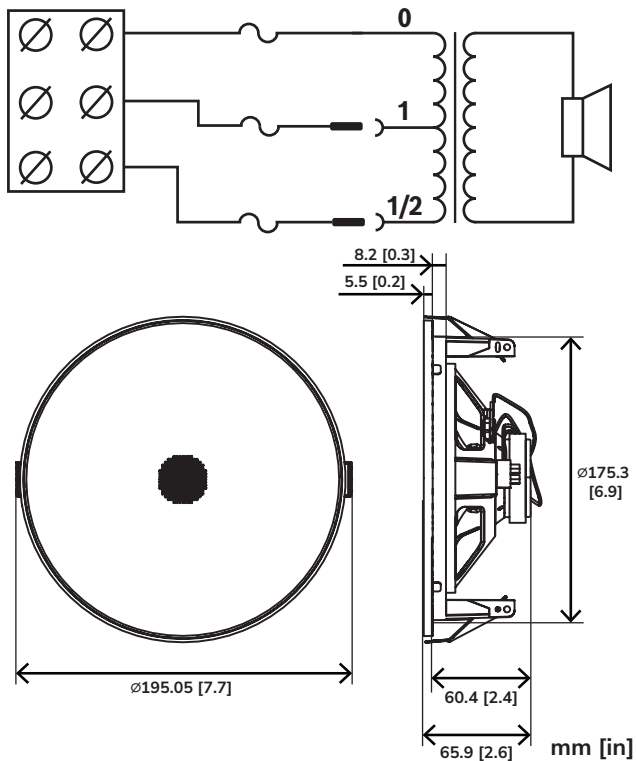


Fig. 1: Dimensions

Parts included

| Quantity | Component |
|----------|--|
| 6 | LCE-06CW Ceiling loudspeaker, 6 W, ABS |
| 1 | Quick installation guide |

Technical specifications

Acoustic*

| | |
|---|---|
| Rated power (W) | 6 W |
| Transformer taps (W) | 6 W; 3 W |
| Rated input voltage (V) | 100 V |
| Connector type | 3-pin plastic connector |
| Wire gauge | 0.85 mm ² - 2.5 mm ² AWG 18 - AWG 14 |
| Sensitivity (1 W, 1 m, 1 kHz Octave) | 88 dB |
| Sensitivity (1 W, 1 m, 100 Hz - 10 kHz) | 92 dB |
| SPL (Rated power, 1 m, 1 kHz Octave) | 96 dB |
| SPL (Rated power, 1 m, 100 Hz - 10 kHz) | 99 dB |
| Frequency range (1 kHz Octave, -10 dB) | 60 Hz - 16 kHz |

| | |
|---|------------------|
| Frequency range (100 Hz - 10 kHz, -10 dB) | 65 Hz - 14.7 kHz |
| Coverage angle HxV (-6 dB, 500 Hz) (°) | 180° x 180° |
| Coverage angle HxV (-6 dB, 1 kHz) (°) | 180° x 180° |
| Coverage angle HxV (-6 dB, 2 kHz) (°) | 145° x 145° |
| Coverage angle HxV (-6 dB, 4 kHz) (°) | 65° x 65° |
| Rated impedance 100 V line (Ω) | 3333 Ω @3 W |
| | 1667 Ω @6 W |

*Technical performance data acc. To IEC 60268-5

Note:

- The specification data was measured in an anechoic chamber, mounted in an IEC-baffle.
- The reference plane is on the grille surface and perpendicular to the reference axis.
- The reference axis is perpendicular to the center point of the front grille surface.
- The horizontal plane contains the reference axis and is perpendicular to the reference plane.

Mechanical

| | |
|-------------------------|-------------------------------|
| Dimensions (Ø x D) (mm) | 195.05 mm x 65.9 mm |
| Dimensions (Ø x D) (in) | 7.7 in x 2.6 in |
| Mounting cutout (mm) | 180 mm |
| Mounting cutout (in) | 7.08 in |
| Mounting depth (mm) | 50 mm |
| Mounting depth (in) | 1.96 in |
| LF transducer size (mm) | 152.4 mm |
| LF transducer size (in) | 6 in |
| Material | Frame: ABS Grill: Aluminum |
| Color (RAL) | RAL 9003 Signal white |
| Weight (kg) | 0.57 kg |
| Weight (lb) | 1.26 lb |

Environmental

| | |
|---|-----------------|
| Operating temperature (°C) | -10 °C – 55 °C |
| Operating temperature (°F) | 14 °F – 131 °F |
| Storage temperature (°C) | -40 °C – 70 °C |
| Storage temperature (°F) | -40 °F – 158 °F |
| Operating relative humidity, non-condensing (%) | 0% - 95% |

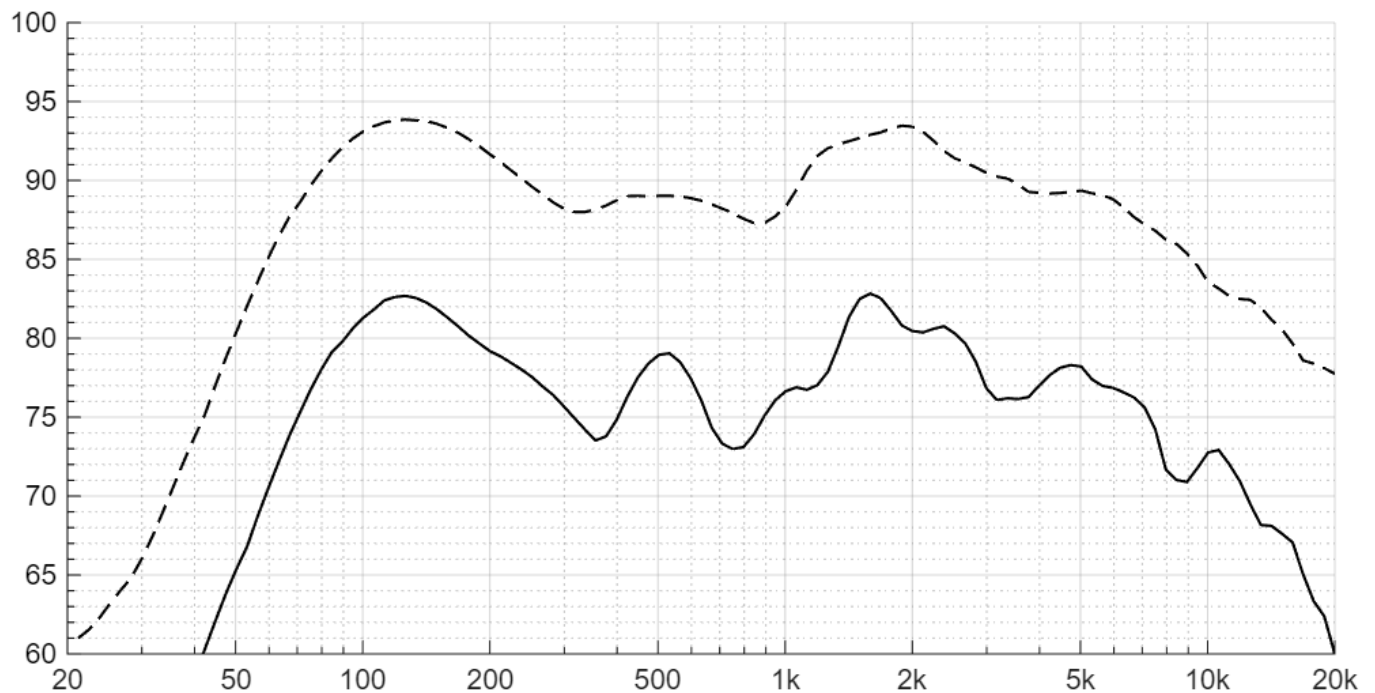


Fig. 2: Frequency response graph

— 1/3rd octave dB SPL @1 W(20 Hz — 20 kHz), 4 m

-- 1/1th octave dB SPL @1 W(20 Hz — 20 kHz), 1 m.

Ordering information

LCE-06CW Ceiling loudspeaker, 6W, ABS

6 W Ceiling loudspeaker, Flush-mount, ABS frame, spring clamps.

Order number **LCE-06CW | F.01U.435.576**



<https://www.keenfinity-group.com>