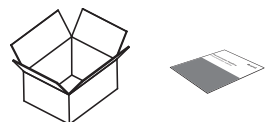
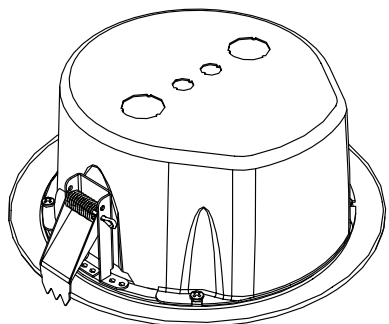
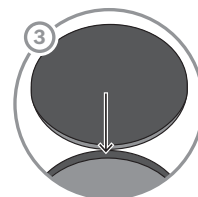
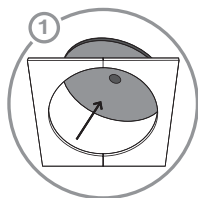
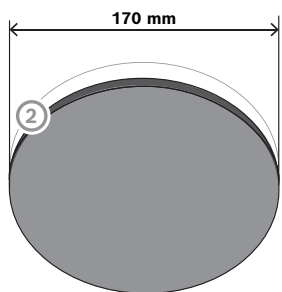
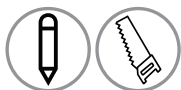


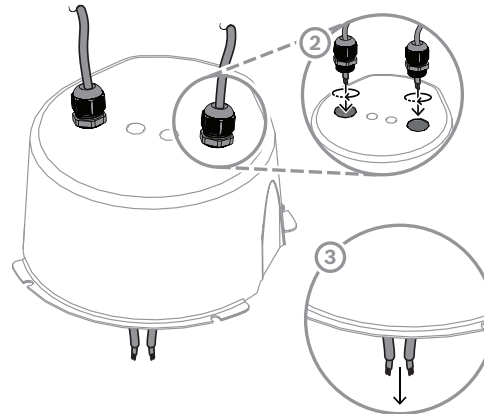
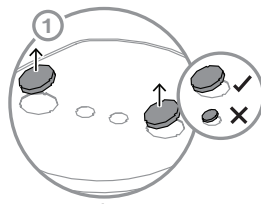
1 |



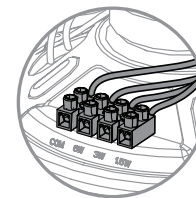
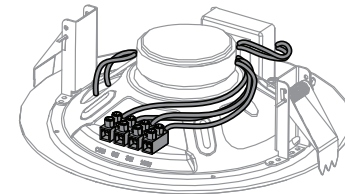
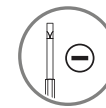
2 |



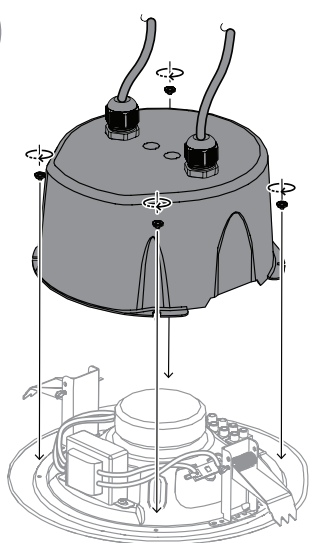
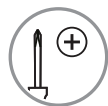
3 |



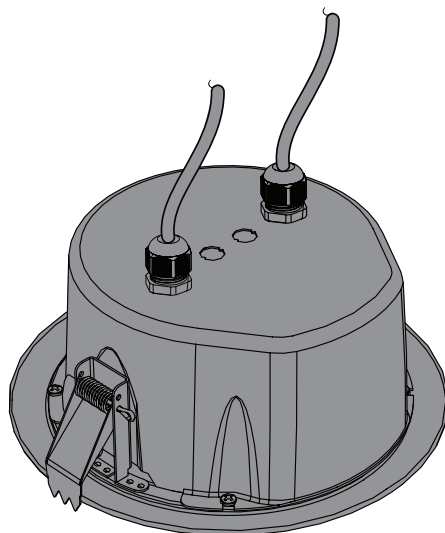
4 |



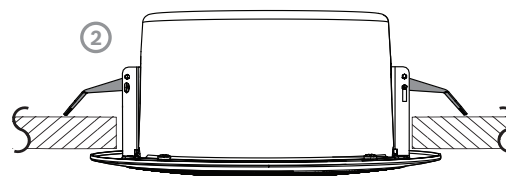
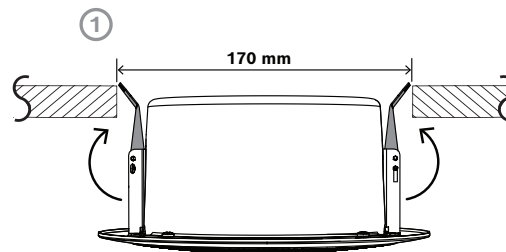
5 |



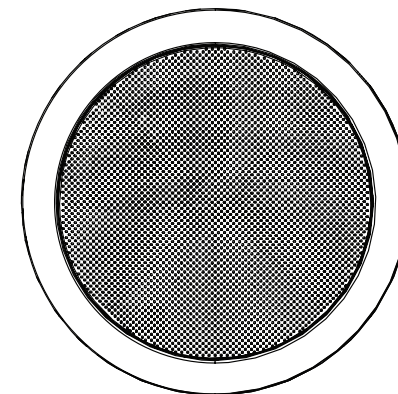
6 |

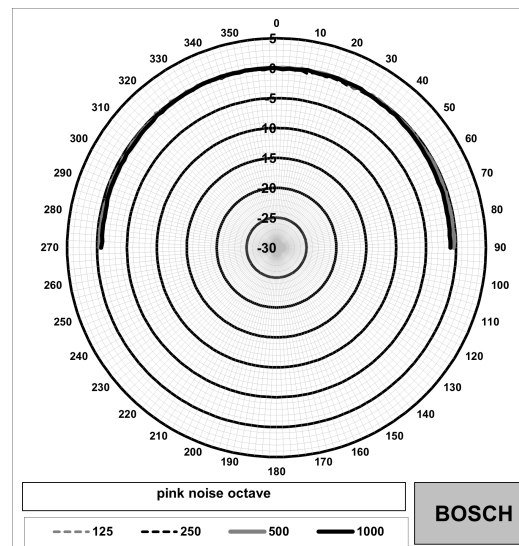
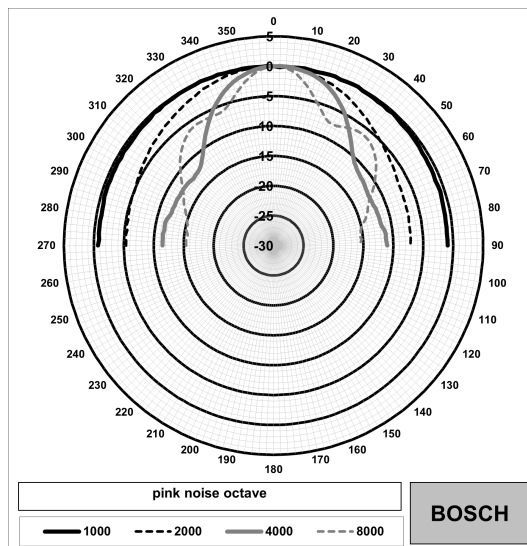
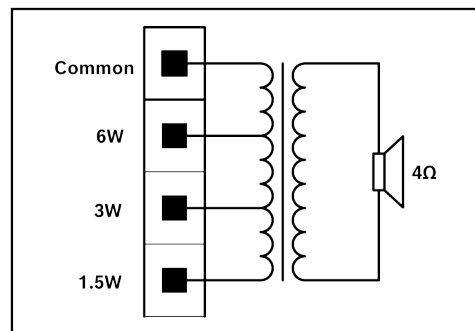
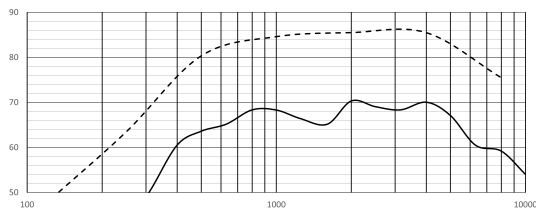


7 |

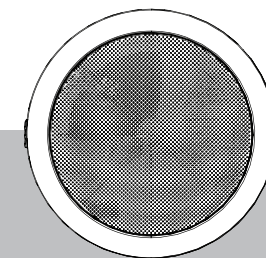


8 |





Ceiling Speaker 6W with MFD, EN54 LBD0606/54



en Quick installation guide

Electrical

Maximum power (W)	9 W
Rated power (W)	6 W
Transformer taps 100 V line (W)	1.5 W; 3 W; 6 W
Sensitivity (1 W, 1 m, 1 kHz octave) (dB)	93 dB
Sensitivity (1 W, 4 m, 100 Hz - 10 kHz) (dB), acc. EN 54-24	78.5 dB
Sound pressure level (rated power, 1 m, 1 kHz octave) (dB)	100 dB
Sound pressure level (rated power, 4 m, 100 Hz - 10 kHz) (dB), acc. EN 54-24	84 dB
Frequency range (-10 dB) (Hz)	330 Hz – 15,000 Hz

Coverage angle HxV (-6 dB, 500 Hz) (°)	185° x 185°
Coverage angle HxV (-6 dB, 1 kHz) (°)	180° x 180°
Coverage angle HxV (-6 dB, 2 kHz) (°)	142° x 142°
Coverage angle HxV (-6 dB, 4 kHz) (°)	57° x 57°
Rated input voltage (V)	100 V
Rated impedance 100 V line (Ω)	1667 Ω @6 W; 3333 Ω @3 W; 6667 Ω @1.5 W

Mechanical

Dimensions (Ø x H) (mm)	199 mm x 95 mm
Cutout diameter (mm)	170 mm
Weight (kg)	1 kg
Color (RAL)	RAL 9016 Traffic white

IP rating	IP21C
-----------	-------

Environmental

Operating temperature (°C)	-5 °C – 55 °C
Storage temperature (°C)	-40 °C – 55 °C
Operating relative humidity, non-condensing (%)	95%

To meet EN 54-24 requirements, below stated 1/3 and 1 octave band equalization is required:

Freq [Hz]	BW	Q-factor	Gain
502	1/3	4.318477	-3.0
1002	1/3	4.318477	8.0
1262	1	1.414214	4.0
1782	1/3	4.318477	3.0
6324	1/3	4.318477	3.0

Bosch Security Systems

Post Box No. 3000, Hosur Road, Adugodi,
Bangalore 560 030 India
Ph: +91 80 41768243, Fax: +91 80 41768243

www.boschsecurity.com

© Bosch Security Systems, 2025