

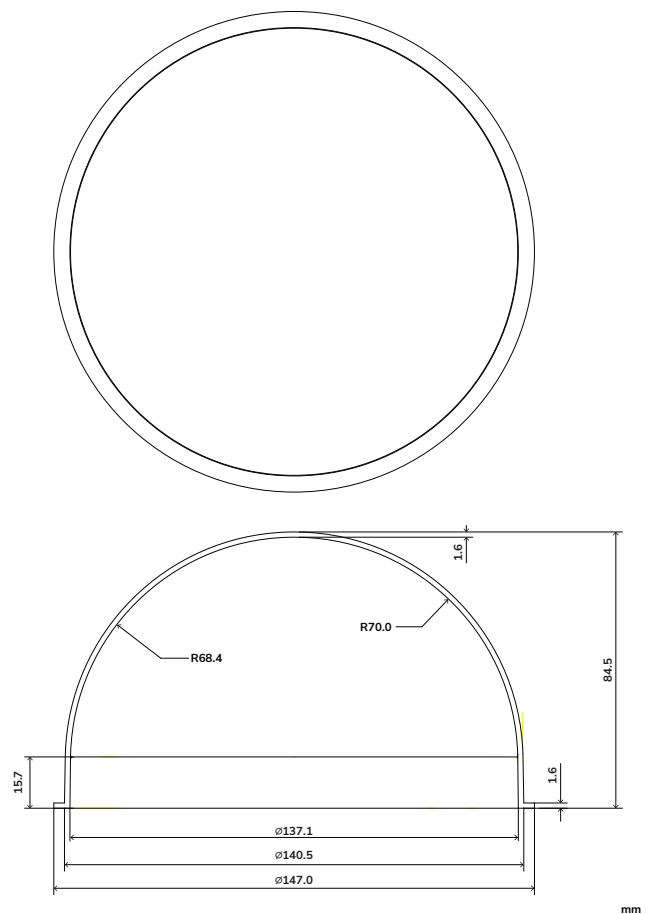
## NDA-5020-TBL Tinted bubble for PTZ dome

► Applicable to AUTODOME 5000i cameras



Tinted bubble accessories allow for an easy replacement of the device's original bubble, providing a colored bubble alternative with a light opacity level.

### Installation/configuration notes



mm

### Parts included

Quantity	Component
1	Tinted bubble
1	Quick installation guide

### Technical specifications

#### Mechanical

Dimensions (Ø x H) (mm)	147 mm x 84.5 mm
Dimensions (Ø x H) (in)	5.79 in x 3.33 in
Weight (g)	60 g
Weight (lb)	0.132 lb
Bubble material	Tinted polycarbonate

### Ordering information

#### **NDA-5020-TBL Tinted bubble for PTZ dome**

Tinted bubble for pendant models of AUTODOME 5000i cameras.

Order number **NDA-5020-TBL**



<https://www.iqsight.com>