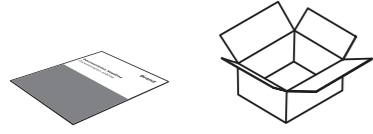
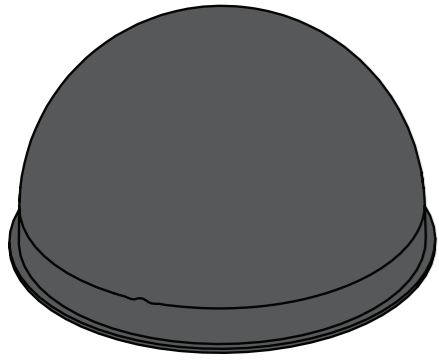
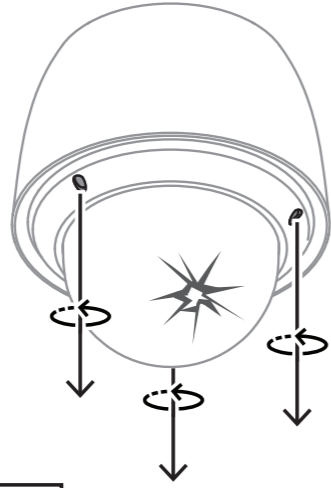


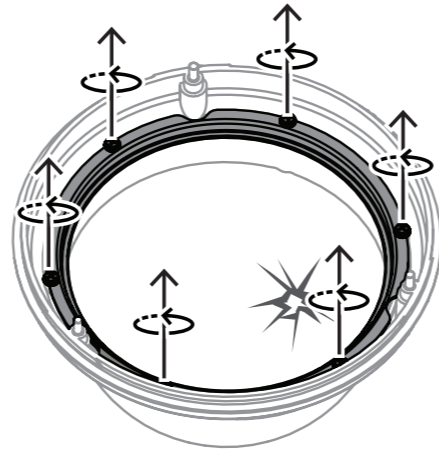
1 |



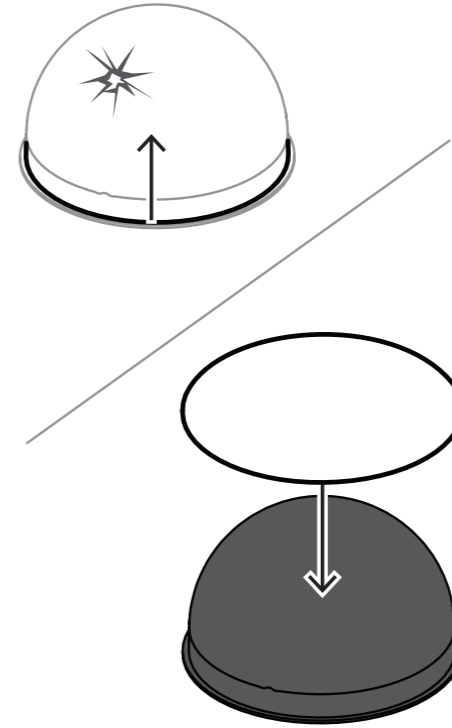
2 |



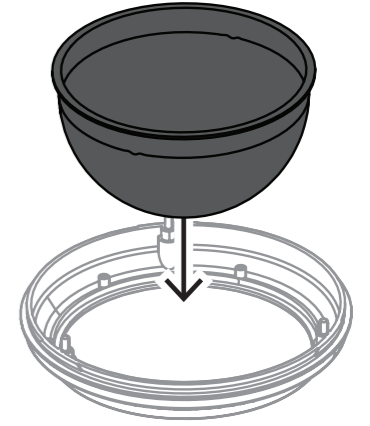
3 |



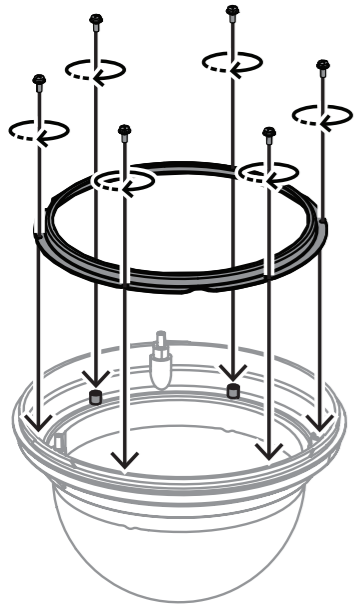
4 |



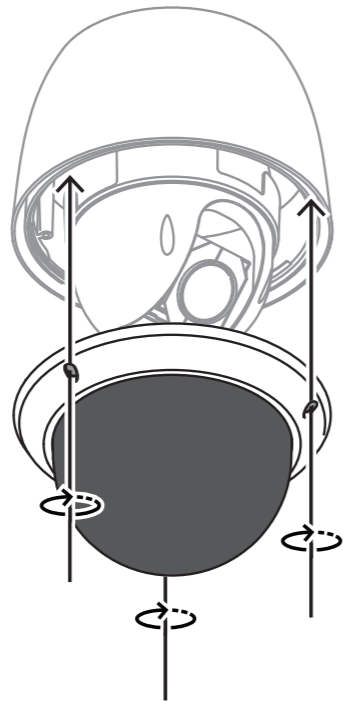
5 |



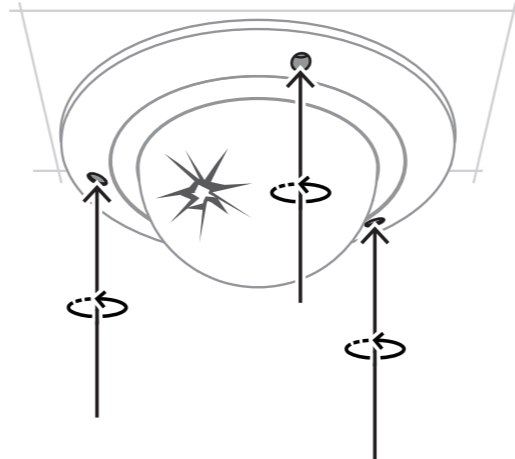
6 |



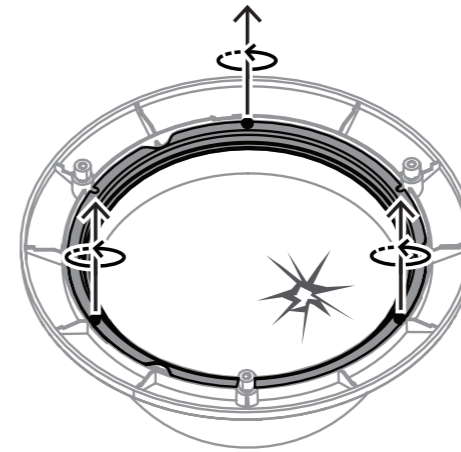
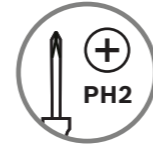
7 |



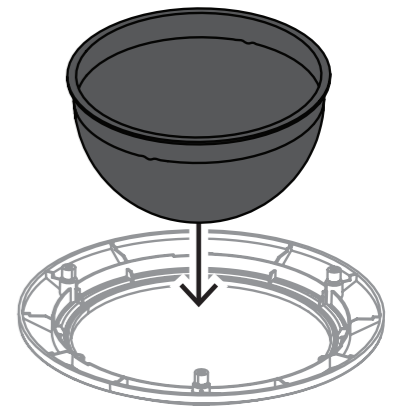
8 |

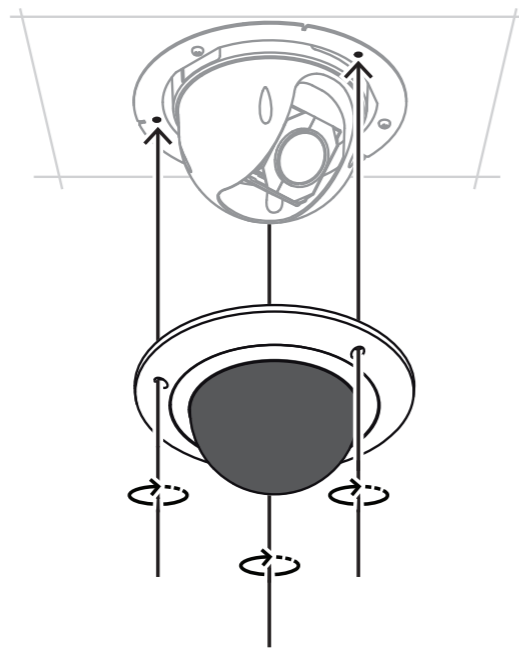
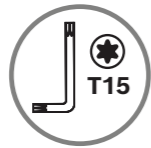
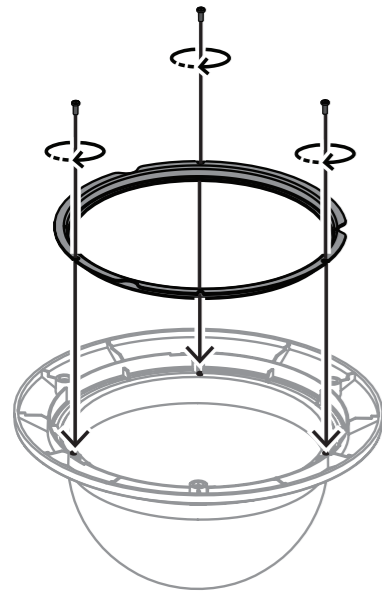


9 |

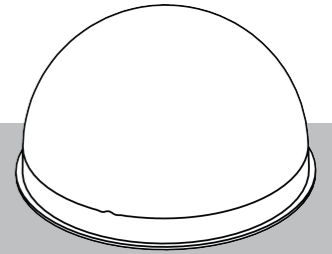


10 |





Tinted bubble for PTZ dome
NDA-5020-TBL



en Quick installation guide

IQSIGHT B.V.
Achtseweg Zuid 173
5651 GW Eindhoven
Netherlands
www.iqsight.com
© IQSIGHT 2026

