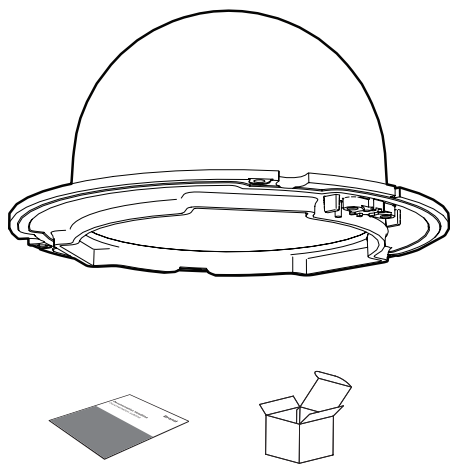
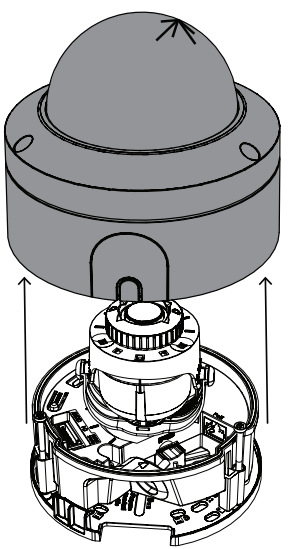


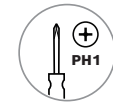
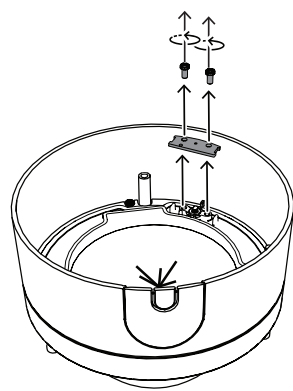
1 |



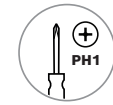
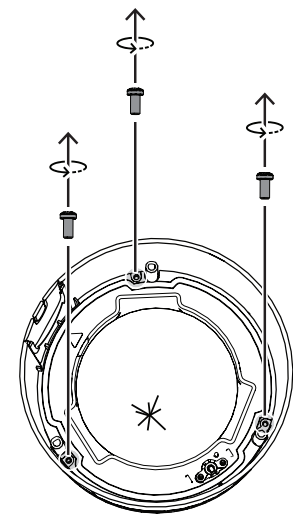
2 |



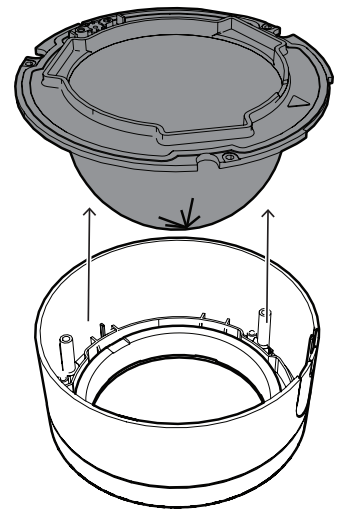
3 |



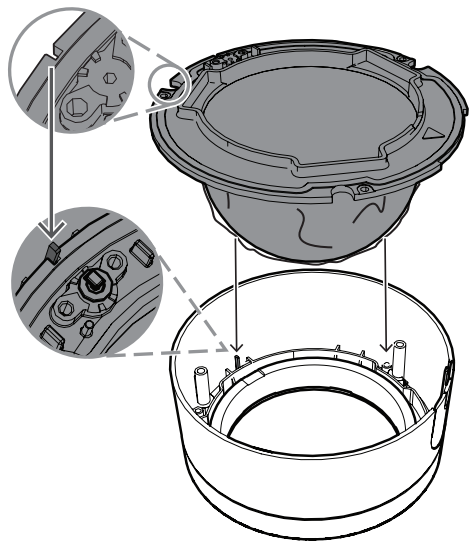
4 |



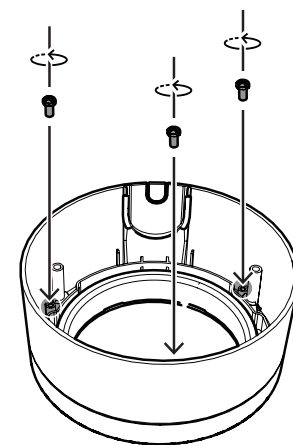
5 |



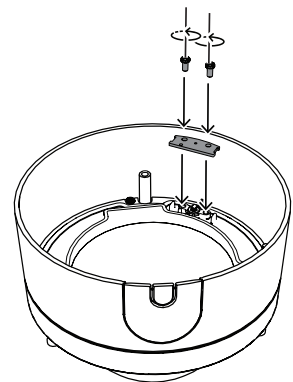
6 |

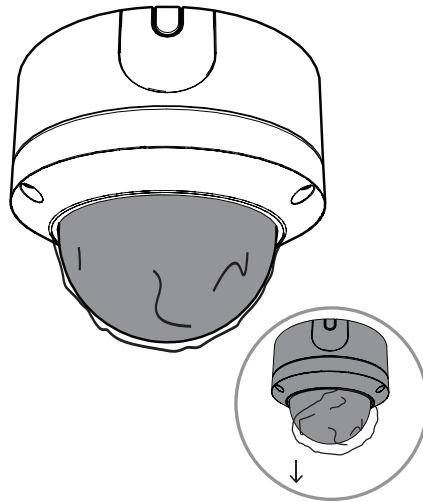
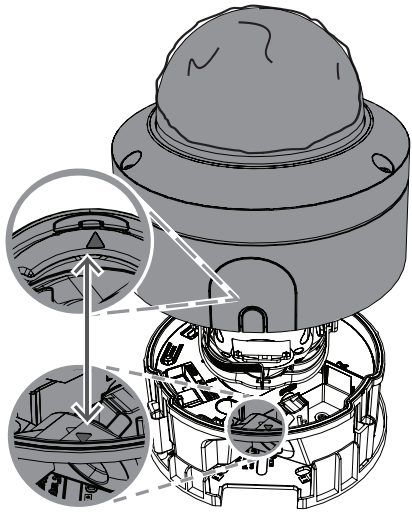


7 |

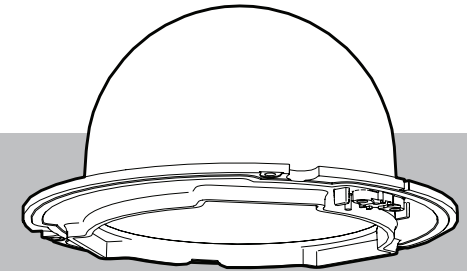


8 |





**Bubble, clear and tinted for FLEXIDOME
5100i IR**
NDA-5070-CBLI | NDA-5070-TBLI



en Quick installation guide

IQSIGHT B.V.
Achtseweg Zuid 173
5651 GW Eindhoven
The Netherlands
www.iqsight.com
© IQSIGHT 2026

