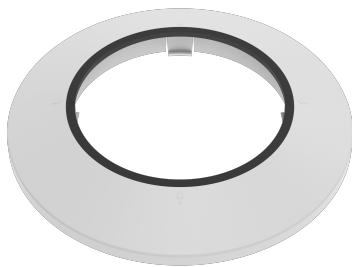


NDA-7100-WP Weather protector for AUTODOME 7100i



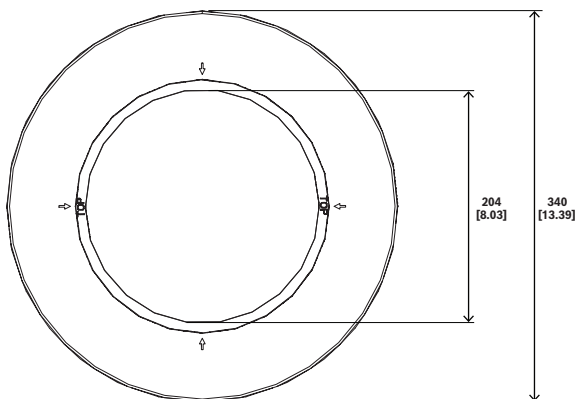
The weather protector shields the bubble of AUTODOME 7100i and AUTODOME 7100i IR cameras from rain and sunlight.

The accessory eliminates IR reflection and minimizes water droplets on the bubble while maintaining the camera's field of view.

Regulatory information

Environmental	
Salt mist	IEC60068-2-52
Vibration	IEC60068-2-6
Shock	IEC60068-2-27

Installation/configuration notes



mm [in]



- ▶ Corrosion-resistant finish
- ▶ Easy installation
- ▶ Protects against rain, dirt and sun
- ▶ Stylish and robust design allowing use in all environments

Parts included

Quantity	Component
1	Weather protector
1	Quick Installation Guide

Technical specifications

Mechanical

Material	Plastic
Weight (g)	320 g
Color (RAL)	RAL 9003 Signal white

Ordering information

NDA-7100-WP Weather protector for AUTODOME 7100i
 On-camera weather protector for AUTODOME 7100i and
 AUTODOME 7100i IR cameras
 Order number **NDA-7100-WP**