

NMM-7703-AL Multi+ dome 4x5MP 3.2-8.1mm IP66 IR

FLEXIDOME multi+ 7100i IR



- ▶ Unique modular design that allows the camera to be combined with a PTZ, panoramic or fixed camera in the center
- ▶ HDR X - High Dynamic Range to see every detail in both bright and dark areas of the scene without HDR motion blur and artefacts
- ▶ MultiGuard PTZ to steer the PTZ camera based on the object detected by the multi-imager cameras or manually by the user
- ▶ AI-based intelligence capability through the powerful SoC engine
- ▶ Integrated surround IR illumination for distances up to 30 meters for pitch dark scenes

The FLEXIDOME multi+ 7100i pairs powerful multi-imager technology with advanced intelligence and unmatched system flexibility. Designed for demanding environments like airports and city surveillance, it features four independent imagers with AVF lens in a single unit, significantly reducing installation complexity and total cost of ownership. The camera delivers exceptional coverage for large busy areas, 360° overviews, traffic intersections, and building corners.

The cameras have a powerful, embedded processor with dedicated hardware to support advanced machine learning and deep neural network-based Video Analytics. Built-in Intelligent Video Analytics Pro (IVA Pro) enriches full situational awareness and triggers relevant alerts.

When integrated with a PTZ camera the MultiGuard PTZ feature offers 360° views with rapid PTZ precision, automatically zooming in on detected events or allowing the operator to control for instant focus.

With the adapter kit, users can easily expand their setup by combining additional camera types such as LPR units, or panoramic sensors that eliminate blind spots creating a flexible, high-performance solution tailored to their specific security needs.

Functions

MultiGuard PTZ

MultiGuard PTZ is an intelligent hybrid solution that combines the wide-area visibility of a multi-imager camera with the precision and responsiveness of a Pan-Tilt-Zoom camera. Designed to deliver complete situational awareness, MultiGuard PTZ automatically detects activity across a large scene and instantly zooms in to capture detailed, high-resolution close-ups of events or objects of interest.

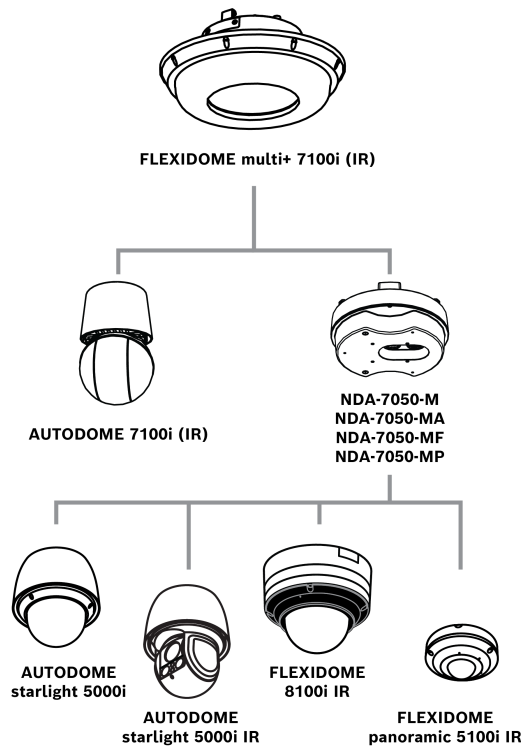
Powered by advanced IVA Pro, MultiGuard PTZ operates in both Unattended Mode, where detection and tracking happen automatically, and Attended Mode, where security staff can take control with a single click. The result is a seamless system that ensures you see everything and can focus on anything - efficiently, intelligently, and in real time.

Flexibility

The adapter kits' modularity provides mix-and-match camera system integration designed to deliver ultimate flexibility across a wide range of security applications. This unique solution lets customers build the exact imaging setup they need, combining multiple camera types into one unified, high-performance platform. Whether your needs

involve monitoring large open areas, capturing long-range detail, or adding specialized analytics capabilities, the adapter kit gives you the freedom to adapt and optimize your system—ensuring unmatched clarity, coverage, and operational versatility.

For applications involving the AUTODOME 7100i and 7100s, the camera can interface directly without the need for an adapter kit, streamlining installation while maintaining full performance and compatibility.



4 × 5-megapixel multi-directional overviews

Four independent 5-megapixel imagers with separate remote zoom and focus lenses capture very high quality images with a total resolution of 4 × 5-megapixels. Each of the four imagers can be set-up flexibly with 2-axis movement along a circular track. This enables surround coverage, capturing detailed images from every angle for comprehensive video coverage with four separate views from a single IP address.

HDR X - High Dynamic Range

HDR X technology captures high quality video of moving objects in scenes with a large dynamic range. HDR X - Motion optimized mode takes two different readouts from one exposure to capture details in both the highlights and shadows of the scene, instead of blending multiple exposures like standard HDR technologies which reduces sharpness and creates unwanted imaging artifacts on moving objects.

Intelligent Video Analytics (IVA) Pro

The camera comes with IVA Pro Buildings, IVA Pro Perimeter, and IVA Pro Privacy pre-installed. Other options can be licensed to optimize the camera analytics for enhanced surveillance capabilities tailored to the application.

The advanced analytics brings highly reliable deep-learning-based detection and tracking of persons and vehicles to scenes ranging from sterile zones to crowded and congested areas. Resilient against false triggers caused by challenging environmental conditions such as rain, wind-induced movements (such as trees), snow, hail, water reflections, shadows, and insects, the camera ensures accurate and reliable object detection, tracking, and classification. A smart set of alarm and counter rules ensures that you are promptly alerted when predefined alarms are triggered.

Configuration effort is made easy with the camera already classifying objects out of the box. With these advanced features, the camera provides comprehensive security coverage across a wide range of environments and scenarios.

Note: Support for IVA Pro Privacy will be available for this camera in a future firmware release.

Intelligent Video Analytics (IVA) Pro - optional licenses

With the introduction of IVA Pro Appearance users can conduct forensic searches based on distinct characteristics, such as color of clothing, bags, hats, or other features, enabling a more precise search of individuals.

Additionally, the camera now features IVA Pro Personal Protective Equipment (PPE), designed to detect the proper use of personal protective equipment, which can reduce accident risk and promote health and safety in various environments.

IVA Pro Traffic can be licensed to optimize the camera analytics for ITS applications such as counting and classification, as well as Automatic Incident Detection, which are necessary for highway and urban infrastructure planning.

A single IVA Pro license covers all four camera imagers. Each camera imager operates independently. This allows different video analytics applications to run at the same time.

Auto-calibration

The camera offers auto-calibration by transforming 2D pixels into 3D real world measures, such as size, speed and geolocation of objects for tracking use cases. AI technology allows the camera to detect and analyze persons and vehicles in the scene to determine calibration parameters. Calibration efforts are now reduced to a single click, followed by the usual human verification. This reduces the calibration effort or time investment, ensuring optimal accuracy while keeping costs to a minimum.

Two-way audio and built-in microphone

Two-way audio allows the operator to communicate with visitors or intruders via an external audio line input and output. Alternatively, there is an integrated microphone to capture crisp and clear audio. By using the integrated or external microphone, audio detection can be used to generate alarms to alert the security operator quicker and act more proactively. If required by local laws, the microphone can be disabled.

Intelligent streaming

Smart encoding capabilities, utilizing video analytics, reduce bandwidth consumption to extremely low levels. Only relevant information in the scene, such as motion or objects found through analytics, needs to be encoded. The camera is capable of quad streaming, allowing it to deliver independent and configurable streams for live viewing, recording, or remote monitoring via constrained bandwidths. Each of these streams can be adapted independently to deliver high-quality video, perfectly tailored to purpose, while reducing bit rate by up to 50% compared to a standard camera.

DORI coverage

DORI (Detect, Observe, Recognize, Identify) is a standard system (EN-62676-4) for defining the ability of a person viewing the video to distinguish persons or objects within a covered area. The maximum distance at which a camera/lens combination can meet these criteria is shown below:

5 MP Camera with 3.2 mm - 8.1 mm lens

DORI	DORI definition	Distance	Horizontal width
Detect	25 px/m	40 m / 155 m	104 m
	8 px/ft	131 ft / 510 ft	340 ft
Observe	63 px/m	16 m / 62 m	41 m
	19 px/ft	52 ft / 202 ft	135 ft
Recognize	125 px/m	8 m / 31 m	21 m
	38 px/ft	26 ft / 102 ft	68 ft
Identify	250 px/m	4 m / 16 m	10 m
	76 px/ft	13 ft / 51 ft	34 ft

*The numbers in this table do not reflect IVA distances. For IVA distances, refer to the Design Hub.

Data security

Security begins at production, where each device receives its unique cryptographic identity. From first boot, every layer protects data and ensures secure interactions through Secure Element 3.0 that provides enterprise-grade cybersecurity, strengthening system integrity from the inside out. Secure integration protocols protect connections with third-party systems, cloud platforms, and network infrastructure, while independent third-party

certifications validate the Secure Product Lifecycle and supply chain practices. Systems remain protected, reliable, and aligned with modern regulatory standards.

Advanced edge recording

Advanced edge recording provides the reliable storage solution possible due to the combination of the following functionalities:

- Dual microSD cards that can be set up as either:
 - Mirrored, for redundant storage.
 - Failover, for extended service intervals.
 - Extended, for maximum retention time.
- Surveillance microSD card support allows for extreme lifetime.
- Health monitoring on both microSD cards provides early service indication.

Cloud-based services

Using the Security Cloud, you can configure, troubleshoot, and update supported devices using the browser-based interface or standard tools.

With one click on Remote Portal, you can activate additional value-added services, such as Alarm Management in Cloud VMS, or VideoView+. VideoView+ provides an easy-to-use and cost-effective solution to remotely connect to your device from anywhere, at any time. Leverage the power of the cloud to monitor your premises and get notified about any incident. VideoView+ also enables live streaming, locally and from remote, of up to 8 concurrent devices via Video Security Client, or of up to 4 concurrent devices on the Android and iOS app clients.

This includes replay and export functionality, as well as forensic search to define and perform search criteria for recorded events and support for Genetec Security Center SaaS, enabling direct-to-cloud video streaming.

Remote Portal

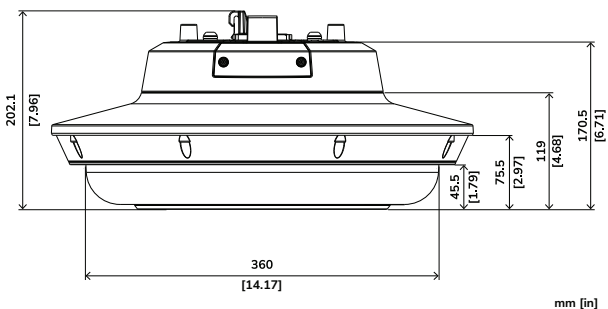
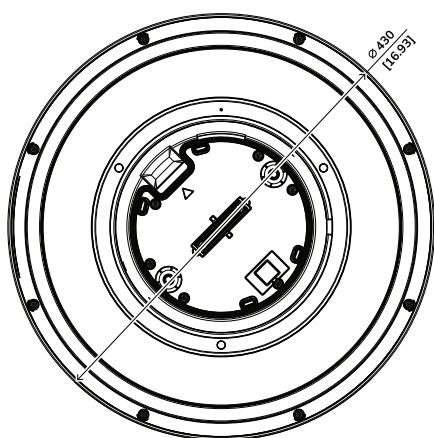
Remote Portal is a secure cloud service that enables easy online management of devices. It lets you configure, monitor and maintain the health of all connected sites and devices through the web portal or Configuration Manager - free of charge.

Regulatory information

Type	Standard
Emission	EN 55032 (Class A), FCC 47 CFR Part 15B (Class A), ICES-003 Issue 7, VCCI-CISPR 32, EN 50121-4
Immunity	EN 55035, EN 50121-4, EN 50130-4; IEC 61000-4-2, IEC 61000-4-3, IEC 61000-4-4, IEC 61000-4-5, IEC 61000-4-6, IEC 61000-4-8, IEC 61000-4-11
Environmental	EN50130-5, Class IV, Fixed equipment, Outdoor in general, NEMA 2.1.5.1 STD2 (cover temperature test only), NEMA TS2, EN IEC 63000, IEC 60068-2-1, IEC 60068-2-2, IEC 60068-2-6, IEC

Type	Standard
	60068-2-18, IEC 60068-2-27, IEC 60068-2-30, IEC 60068-2-42, IEC 60068-2-52, IEC 60068-2-75, IEC 60068-2-78, EN 60529
Safety	EN 62368-1, IEC 62368-1, UL 62368-1, EN 62471
Corrosion resistance	IEC 60068-2-42, IEC 60068-2-52
Image performance	IEC 62676-5
HD	SMPTE 274M-2008 (Resolution: 1920x1080)
Color representation	ITU-R BT.709-6
ONVIF conformance	EN 50132-5-2, EN 62676-2
Impact protection	IEC/EN 62262 (IK10)
Water/dust protection	EN 60529 (IP66) and UL50E (Type 4X)
Environment	RoHS EU, 2011/65/EU and 2015/863/EU, WEEE EU, 2012/19/EU, 94/62/EC Packaging
Marks	CE, FCC, UL, China RoHS, VCCI, RCM
Compliance	North America and Latin America model: NDAA and TAA compliant Europe and Asia Pacific model: NDAA compliant

Installation/configuration notes



Dimensions in mm (inch)

Information on the power source options for the FLEXIDOME multi+ 7100i in the table below:

	Adapter kit	PoE bt	24 VDC	24 VAC
Standalone	NDA-7050-M	o		o
With AUTODOME 5000i IR	NDA-7050-MA	o		o

	Adapter kit	PoE bt	24 VDC	24 VAC
With AUTODOME 5000i	NDA-7050-MA	x		x
With AUTODOME 7100i/7100s (IR)		x		x
With FLEXIDOME panoramic 5100i IR	NDA-7050-MP	o		o
With FLEXIDOME 8100i/8100s	NDA-7050-MF	o		o

o = optional (required at least one)

x = required

Additional power input (o) can be required for operation at temperatures below -30 °C.

Note: The NDA-7050-MP and NDA-7050-MF adapter kits will be available in a future release.

Parts included

Quantity	Component
1	NMM-7703-AL camera
1	TR20 key
1	Quick installation guide
1	Safety and security information
3	Identification labels
1	IR shield
3	Rubber caps

Technical specifications

Sensor

Total sensor pixels	5 MP approx.
Effective pixels (H x V)	2592 x 1944 (4:3)
Sensor type	1/2.8 inch CMOS 2.0 µm

Sensitivity

Low light technology	starlight
Color (lx) (sensitivity measured according to IEC 62676 Part 5)	0.035 lx
Monochrome (lx) (sensitivity measured according to IEC 62676 Part 5)	0.003 lx
Monochrome (lx) With IR	0.0 lx

Dynamic range

WDR technology	HDR X
----------------	-------

High Dynamic Range (HDR) (dB)	120 dB
Optical	
Lens focal length (mm)	3.2 mm – 8.1 mm
Iris control	Fixed iris
Horizontal field of view (°)	104° – 37°
Vertical field of view (°)	73° – 28°
Lens aperture (/F)	F1.9 - F3.2
Zoom/focus control	Motorized
Night vision	
IR function	On; Off; Auto
IR intensity	Manually adjustable; Automatic; 4 controllable zones
Built-in IR (m)	30 m
Built-in IR (ft)	98 ft
Wavelength (nm)	850 nm
Platform	
Common Product Platform	CPP15
Memory (RAM) (MB)	8192 MB RAM; 8192 MB flash
Video streaming	
Video compression	H.264 (ISO/IEC 14496-10); M-JPEG; H.265/HEVC
Sensor mode	30 fps, HDR X, 2592 × 1944 (5MP) 25 fps, HDR X, 2592 × 1944 (5MP) 30 fps, HDR, 2592 × 1944 (5MP) 25 fps, HDR, 2592 × 1944 (5MP)
Streaming	Multiple configurable streams in H.265; H.264 and M-JPEG; Configurable framerate and bandwidth ; Intelligent Streaming
Frame rate (fps)	1 fps – 30 fps
Overall IP delay	900ms (typical)
GOP structure	IP
Video signal-to-noise ratio (dB)	>55 dB
Resolution	2592x1944, 1280x960, 1280x720, 960x544, 800x600x 640x480, 640x360, 480x272

Video functions

ALC	Mode (Standard, Fluorescent), Priority - dark vs. bright, Speed, Level, Maximum gain [dB]
Shutter modes	Automatic Electronic Shutter (AES); 1/15,000 max; Default shutter
Day/night modes	Auto (adjustable switch points); Color; Monochrome
Field of view adjustment	Manual, tilt, roll; Autofocus
Camera functionality	Mirror image; Rotation 90°; Rotation 180°; Rotation 270° including upright mode; Backlight compensation (BLC); Intelligent dynamic noise reduction; Contrast enhancement; Sharpness enhancement; Intelligent defog; Pixel counter; Tamper detection; Saturation; Brightness
Camera LED	Auto disable; Enable; Disable
White balance (K)	2,000 K – 10,000 K
White balance modes	Standard auto; Hold mode; Sodium lamp auto; Basic auto; Manual RGB
Number of privacy masks	8 independent areas per imager, fully programmable
Display stamping	Name; Logo; Date/time; Alarm message
Scene modes	Standard; Sodium lighting; Vibrant; Sports & gaming; Retail; License plate recognition; Fast movement; Sensitivity boost; Color only ; Backlight
Positioning	Mounting height; Coordinates

Video content analysis

Analysis type	IVA Pro Buildings; IVA Pro Perimeter; Camera Trainer
Supported analytics (license)	IVA Pro Traffic; IVA Pro Appearance , IVA Pro PPE
Alarm triggers	Any object; Object in field; Line crossing; Enter / leave field; Loitering; Follow route; Idle / removed object; Counting; Occupancy; Condition change; Similarity search; Objects stopping or starting to move
Object filters	Duration; Size; Aspect ratio; Speed; Direction; Color ; Object classes
Tracking modes	Ship tracking; Base tracking (2D); Perimeter tracking (2D); Perimeter tracking (3D); People tracking (3D); Museum mode (2D)

Calibration	3D Autocalibration; map-based calibration; manual calibration
Number of possible alarm rules (simultaneously)	16 per imager
Additional functionalities	Tamper detection; Loud noises detection

Note: Support for IVA Pro Privacy, Intelligent Audio Analytics, Gunshot detection and MultiGuard PTZ will be available for this camera in a future firmware release.

Storage

Internal storage	5-s-pre-alarm-recording
Memory card slot	Dual micro SDHC; Dual micro SDXC; Dual micro SD card up to 3 TB
Dual micro SD-card slot configurations	Mirror (redundant storage); Failover (extended service interval); Extend (maximum retention time); Automatic Network Replenishment

Inputs and outputs

Ethernet	Shielded RJ45
Number of USB ports	1 (USB 2.0 Type C, for use with wireless USB dongle for setup and commissioning, sold separately)
Alarm inputs	2
Alarm outputs	1 dry contact relay, 27 VAC, 1 A, rms 30 VDC, 2 A, rms; 3 output lines (selectable N.O./N.C./Common)
Built-in microphone	Digital MEMS microphone
Audio line in	0.6 Vrms max, 40 kOhm typical
Audio line out	1.0 Vrms at 10 kOhm typical
Surge protection	2KV L-G , 1KV L-L
Fiber optics	Third-party SFP fiber modules are supported when used with the optional mounts NDA-7090-PENP NDA-7100-PIPEF. Refer to the camera Installation manual for details.
Fiber optics data rate	Must use 1 Gbps SFP modules.
Fiber optics compatibility	The SFP modules used on the end-to-end system (FLEXIDOME camera/media converter) must be compatible, if not the same exact brand and part number. The fiber used must be compatible with the SFP modules in mode (single-mode or multi-mode) and wavelengths.

Audio

Compression and sampling rate	G.711 8 kHz; L16 16 kHz; AAC-LC 80kbps 16 kHz; AAC-LC 48kbps 16 kHz
Minimum signal-to-noise ratio (dB)	50 dB
Audio streaming	Full duplex; Half duplex

Network

Protocols / standards	IPv4; IPv6; UDP; TCP; RTP/RTCP; ICMP; ICMPv6; RTSP; FTP; ARP; DHCP; APIPA (Auto-IP, link local address); NTP (SNTP); SNMP (V1, MIBII); SNMP (V3, MIBII); DNS; DNSv6; SMTP; iSCSI; DiffServ (QoS); LLDP; SOAP; IGMP; RTSPS; MQTT; SRTP; HTTP/HTTPS; HSTST; DDNS (DynDNS.org); MQTTS; Syslog
Ethernet type	Auto-sensing; 100BASE-TX; 1000BASE-T; Full / half duplex
Conformity	ONVIF Profile S; ONVIF Profile G; ONVIF Profile T; ONVIF Profile M

Data security

Cryptographic coprocessor (SE)	RSA 4096 bit; 512-bit ECC elliptic curves; AES/CBC 256 bit
Public Key Infrastructure (PKI)	X.509 certificates; SCEP; Device identity certificate (Root CA); Embedded firewall
Encryption	TLS 1.2; AES 256; AES 128; TLS 1.3
Network authentication	802.1x; EAP/TLS; CHAP; Digest authentication; Configurable session timeout
Local storage encryption	AES-XTS
Signed video framework	MD5; SHA-1; SHA-256; Checksum
Firmware protection	Signed Firmware; Secure boot; Software sealing; SBOM (Software Bill of Materials); Cloud firmware check
Certified security standards	Common Criteria EAL6+ (Secure Element 3.0); FIPS 140-3 Level 3 (Secure Element 3.0)

Electrical

Input voltage (VAC)	24 VAC, 50 / 60 Hz
Input voltage (VDC)	24 VDC / 36 VDC
PoE nominal voltage (VDC)	54 VDC

PoE input	PoE++ IEEE 802.3bt Type 4, Class 8, 90W PoE++ IEEE 802.3bt Type 3, Class 6, 60W
Power consumption VAC (VA) (typical - maximum)	22.4 VA – 56.9 VA
Power consumption VAC (W) (typical - maximum)	14.1 W – 38.1 W
Power consumption VDC (W) (typical - maximum)	14 W – 36.3 W
Power consumption PoE (W) (typical - maximum)	19.2 W – 36.3 W
Current consumption VAC (A) (typical - maximum)	0.93 A - 2.37 A
Current consumption VDC (A) (24 VDC / 36 VDC, typical - maximum)	0.58 A / 0.39 A - 1.51 A / 1.01 A
Current consumption PoE (A) (typical - maximum)	0.36 A - 0.67 A

Note: standalone application together with NDA-7050-M.

Mechanical

Pan range (°)	-45° - 135°
Tilt range (°)	10° – 100°
Roll range (°)	0° – 352°
Dimensions (Ø x H) (mm)	430 mm x 170.5 mm
Dimensions (Ø x H) (in)	16.9 in x 6.7 in
Weight (kg)	5.78 kg
Weight (lb)	12.74 lb
Color (RAL)	RAL 9003 Signal white
Material	Plastic; Metal
Bubble material	Clear polycarbonate

Environmental

Operating temperature (°C)	-40 °C – 55 °C
Operating temperature (°F)	-40 °F – 131 °F
Storage temperature (°C)	-50 °C – 70 °C
Storage temperature (°F)	-40 °F – 158 °F
Cold start temperature (°C)	-20 °C
Cold start temperature (°F)	-4 °F
Operating relative humidity, non-condensing (%)	5% – 93%

Operating relative humidity, condensing (%)	5% – 100%
Storage relative humidity (%)	0% – 98%
Impact protection	IK10
IP rating	IP66
Degree of protection	NEMA type 4X
Country of origin	Europe and Asia Pacific model: Thailand North America and Latin America model: Taiwan

Only the accessories listed in this datasheet are supported. The following accessories are not compatible with this camera: NDA-7100-PEN, NDA-7100-PENF, NDA-7100-PA0H, NDA-7100-PA1H, NDA-7100-PA2H, NDA-U-PSMB, NDA-U-PMAS, NDA-U-PMAL, NDA-U-PMT, NDA-U-PMTS, NDA-U-PMTE, NDA-U- PMTG, NDA-U-RMT, NDA-U-WMP.

Ordering information

NMM-7703-AL Multi+ dome 4x5MP 3.2-8.1mm IP66 IR
Fixed dome camera 4x5 MP with starlight, HDR X, IVA Pro Buildings, IVA Pro Perimeter, IVA Pro Privacy, IP66, IK10, H.264/H.265, 3.2-8.1 mm lens
NDAA compliant
Order number **NMM-7703-AL**

Accessories

NDA-7090-PENP Pendant arm fiber
Pendant arm for FLEXIDOME multi+ 7100i and FLEXIDOME multi+ 7100i IR
Order number **NDA-7090-PENP**

NDA-PEND-WPLATE Mounting plate for NDA-7100-PEN/ PENF
Mounting plate for NDA-7100-PEN and NDA-7100-PENF for AUTODOME 7100i and AUTODOME 7100i IR cameras
Order number **NDA-PEND-WPLATE**

NDA-7100-PIPE Pipe mount for AUTODOME 7100i
Pipe mount for AUTODOME 7100i and AUTODOME 7100i IR cameras
Order number **NDA-7100-PIPE**

NDA-7100-PIPEF Pipe mount fiber for AUTODOME 7100i
Pipe mount with direct fiber connection for AUTODOME 7100i and AUTODOME 7100i IR cameras
Order number **NDA-7100-PIPEF**

NDA-U-PMALC Pole mount bracket
Pole mount bracket for FLEXIDOME multi+ 7100i and FLEXIDOME multi+ 7100i IR
Order number **NDA-U-PMALC**

NDA-U-CMT Corner mount adapter

Universal corner mount, white
Order number **NDA-U-CMT**

NDA-U-PSU0H PSU, IR, 24VAC

Power supply unit without transformer, 24 VAC, IK10, for AUTODOME 7100i IR cameras
Order number **NDA-U-PSU0H**

NDA-U-PSU1H PSU, IR, 120VAC

Power supply unit, 120 VAC, IK10, for AUTODOME 7100i / -IR and AUTODOME 7100s / -IR cameras
Order number **NDA-U-PSU1H**

NDA-U-PSU2H PSU, IR, 230VAC

Power supply unit, 230 VAC, IK10, for AUTODOME 7100i / -IR and AUTODOME 7100s / -IR cameras
Order number **NDA-U-PSU2H**

DRC-24V100W1RZ PSU, 24VDC, 100W

24V DC DIN rail power supply. Accessory to be used with NDA-7090-PENP
Order number **DRC-24V100W1RZ**

HDR-150-48 PSU, 48VDC, 150W

150W DIN rail power supply unit for IGP-203IT Midspan. Accessory to be used with NDA-7090-PENP
Order number **HDR-150-48**

NDA-7050-M Adapter kit for standalone use

Adapter kit for standalone use of the FLEXIDOME multi+ 7100i
NDAA compliant
Order number **NDA-7050-M**

NDA-7050-MA Adapter kit for AUTODOME 5000i/5000i IR

Adapter kit to use the FLEXIDOME multi+ 7100i in combination with the AUTODOME 5000i/5000i IR
NDAA compliant
Order number **NDA-7050-MA**

NPD-6001C Midspan, bt, 60W, indoor

Indoor midspan with Power-over-Ethernet for use with PoE-enabled cameras; 60 W, single-port, AC input
Order number **NPD-6001C**

NPD-6001C-E Midspan, bt, 60W, IP67

Outdoor midspan with Power-over-Ethernet for use with PoE-enabled cameras; 60 W, single-port
Order number **NPD-6001C-E**

NPD-6001-I Midspan, bt, 60W, indoor, industrial

industrial midspan with Power-over-Ethernet for use with PoE-enabled cameras; 60 W, single-port
Order number **NPD-6001-I**

NPD-9001-E Midspan, bt, 90W, IP67

Outdoor midspan with Power-over-Ethernet for use with PoE-enabled cameras; 90 W, single-port
Order number **NPD-9001-E**

NPD-9001-EBT Midspan bt 90W IP67 TAA

Outdoor midspan with Power-over-Ethernet for use with PoE-enabled cameras; 90 W, single-port
TAA compliant
Order number **NPD-9001-EBT**

NDA-6090-PMA Pole mount for midspan, bt, outdoor

Pole mount for outdoor PoE midspans NPD-6001C-E / NPD-6001C-EBT and NPD-9001-E / NPD-9001-EBT
Order number **NDA-6090-PMA**

IGP-203IT Midspan, bt, 90W, indoor, industrial

Industrial midspan with Power-over-Ethernet for use with PoE-enabled cameras; 90W; Accessory to be used with NDA-7090-PENP
Order number **IGP-203IT**

NCA-WLAN-EU Wireless installation dongle EU

Wireless installation dongle for wireless commissioning
Order number **NCA-WLAN-EU**

NCA-WLAN-NA Wireless installation dongle NA

Wireless installation dongle for wireless commissioning for North America
Order number **NCA-WLAN-NA**

MSD-V256G Surveillance microSD card 256GB

256 GB surveillance card for video data storage
Order number **MSD-V256G**

MSD-V512G Surveillance microSD card 512GB

512 GB surveillance card for video data storage
Order number **MSD-V512G**

MSD-V1T00 Surveillance microSD card 1TB

1 TB surveillance card for video data storage
Order number **MSD-V1T00**

MSD-V1T50 Surveillance microSD card 1.5TB

1.5 TB surveillance card for video data storage
Order number **MSD-V1T50**

Software Options

MVC-IVA-TRA IVA Pro Traffic

Video analytics software based on deep neural network technology for traffic monitoring and Automatic Incident Detection.
Order number **MVC-IVA-TRA**

MVC-IVA-PPE IVA Pro PPE

Video analytics software based on deep neural network technology for detecting personal protective equipment.
Order number **MVC-IVA-PPE**

MVC-IVA-APC IVA Pro Appearance

Video analytics software based on deep neural network technology for detailed person appearance attributes allowing advanced forensic search.
Order number **MVC-IVA-APC**

